

ST-8A Hinge

Position control · Constant torque

Features

- Holds in every position
- No adjustment required
- Long cycle life

Material

- Zinc alloy, black paint

Product Performance

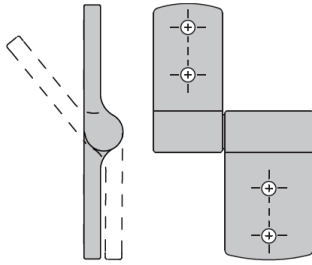
- Cycle performance: 20,000 cycles within $\pm 20\%$ of static torque specification

Installation Notes

- Thread stud install with M3 nuts (not supplied)
- Thru hole install with M3 screws (not supplied)
- To ensure proper function, assembly must include a minimum of one Type A and one Type B hinge

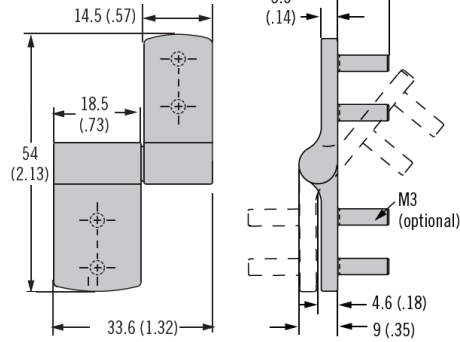


Type A

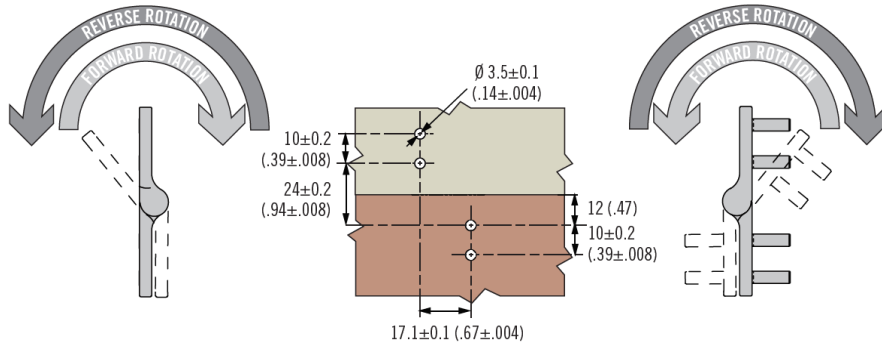


Thru Hole Version Shown

Type B



Thread Stud Version Shown



Symmetric Torque Version				
Part Number				Static Torque (forward and reverse) N·m (in·lbf)
M3 Thread Stud		Thru Hole		
Type A	Type B	Type A	Type B	
ST-8A1-40SA-50	ST-8A1-40SB-50	ST-8A-40SA-50	ST-8A-40SB-50	0.45 (4)
ST-8A1-60SA-50	ST-8A1-60SB-50	ST-8A-60SA-50	ST-8A-60SB-50	0.68 (6)
ST-8A1-80SA-50	ST-8A1-80SB-50	ST-8A-80SA-50	ST-8A-80SB-50	0.9 (8)

Asymmetric Torque Version					
Part Number				Forward Torque N·m (in·lbf)	Reverse Torque N·m (in·lbf)
M3 Thread Stud		Thru Hole			
Type A	Type B	Type A	Type B		
ST-8A1-40FA-50	ST-8A1-40FB-50	ST-8A-40FA-50	ST-8A-40FB-50	0.45 (4)	0.27 (2.4)
ST-8A1-60FA-50	ST-8A1-60FB-50	ST-8A-60FA-50	ST-8A-60FB-50	0.68 (6)	0.41 (3.6)
ST-8A1-80FA-50	ST-8A1-80FB-50	ST-8A-80FA-50	ST-8A-80FB-50	0.90 (8)	0.54 (4.8)
ST-8A1-100FA-50	ST-8A1-100FB-50	ST-8A-100FA-50	ST-8A-100FB-50	1.13 (10)	0.68 (6)
ST-8A1-40RA-50	ST-8A1-40RB-50	ST-8A-40RA-50	ST-8A-40RB-50	0.27 (2.4)	0.45 (4)
ST-8A1-60RA-50	ST-8A1-60RB-50	ST-8A-60RA-50	ST-8A-60RB-50	0.41 (3.6)	0.68 (6)
ST-8A1-80RA-50	ST-8A1-80RB-50	ST-8A-80RA-50	ST-8A-80RB-50	0.54 (4.8)	0.9 (8)
ST-8A1-100RA-50	ST-8A1-100RB-50	ST-8A-100RA-50	ST-8A-100RB-50	0.68 (6)	1.13 (10)